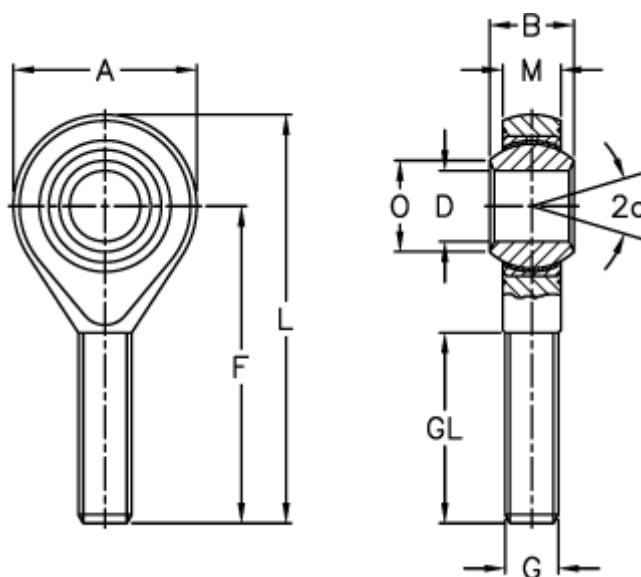


Article number: 03022035

Description: Fluro Rod End GARSW 35-RR
Stainless steel complete

Measures



A	= 80	L	= 165
a (degrees)	= 19	M	= 28
B	= 43	O	= 37.7
D	= 35	Permissible rpm	= 110
Dynamic load C (kN)	= 206	Static load C0 (kN)	= 191
F	= 125	Weight (g)	= 1600
g	= M36x2		
GL	= 77		